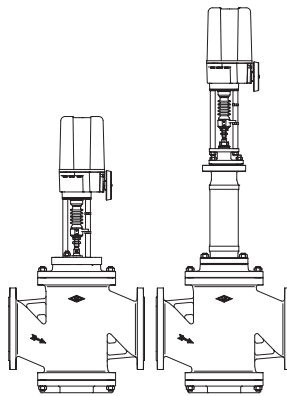


Straight through control valve with top and bottom guided plug
DN 200 and 250

ARI-STEVI® 422 / 462

Electric actuator ARI-PREMIO

- Enclosure IP 65
- 2 torque switches
- Handwheel
- Additional devices available, e.g. potentiometer



Page 2

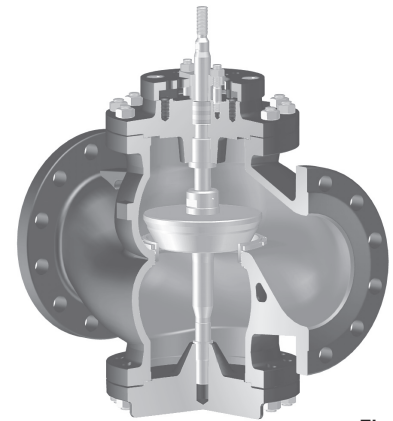
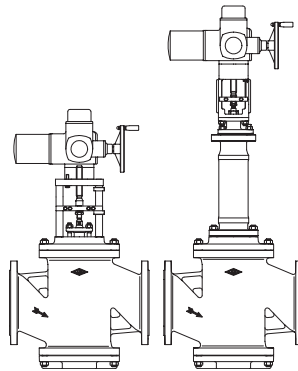


Fig. 422

ARI-STEVI® 422 / 462

Electric actuator AUMA SAR

- Electric multiturn actuator capable of high closing pressures
- Enclosure IP 67
- 2 torque switches
- 2 travel switches
- Handwheel
- Overheating protection for motor as standard
- Additional devices available, e.g. potentiometer
- Explosion proof version available

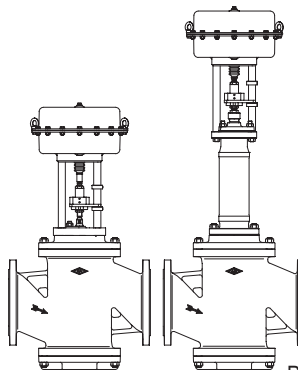


Page 6

ARI-STEVI® 422 / 462

Pneumatic actuator ARI-DP

- Reversible pneumatic actuator
- Actuator with rolling diaphragm
- Air supply pressure max. 6 bar
- Stem protection by bellow
- Maintenance-free O-ring sealing
- Assembly of additional devices acc. to DIN IEC 60534-6



Page 10

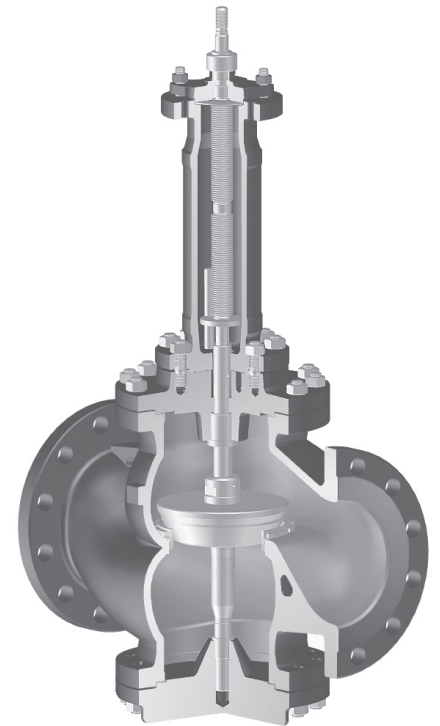


Fig. 462

Features:

- Precision guided stem
- Burnished stem
- Tapered seat ring
- Replaceable seat and plug
- Screwed seat ring
- Kvs-values reducible up to 3 times
- Rangeability 30 : 1
- Post guided plug
- Two-ply bellows seal as standard
- Travel indicator

Control valve straight through with electric actuator ARI-PREMIO

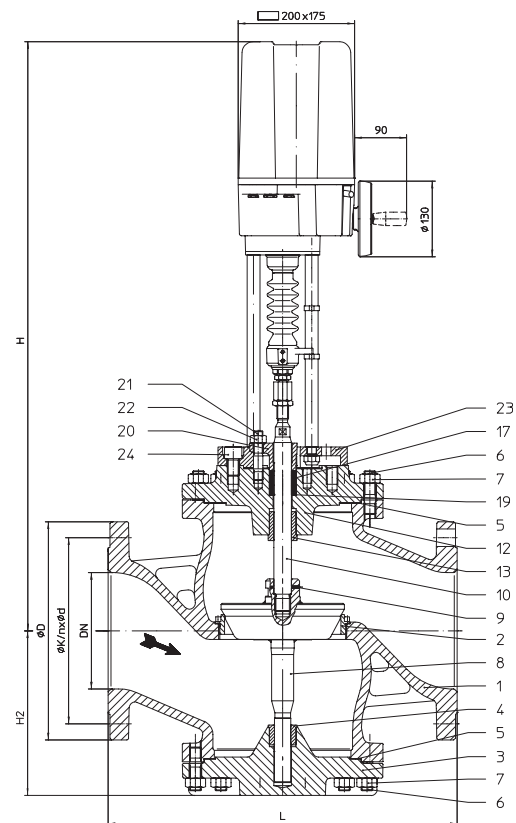


Fig. 422

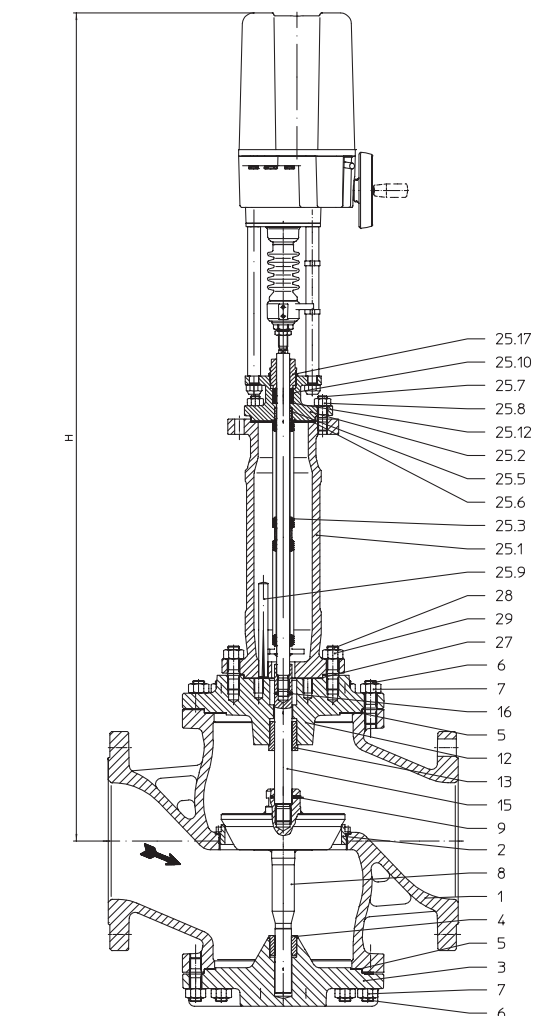


Fig. 462

Figure	Nominal pressure	Material	Nominal diameter
12.422 / 12.462	PN16	EN-JL1040	DN200-250
22.422 / 22.462	PN16	EN-JS1049	DN200-250
34.422 / 34.462	PN25	1.0619+N	DN200-250
35.422 / 35.462	PN40	1.0619+N	DN200-250
Other materials and versions on request.			
Stem sealing			
Fig. 422: • PTFE-packing -10°C up to +250°C • Pure graphite-packing -10°C up to +450°C			
Fig. 462: • Stainless steel bellows seal with safety stuffing box -60°C up to +450°C			
Plug design			
standard: • Parabolic plug, metal seat			
optional:			
• Parabolic plug with PTFE soft seat (max. 200°C)			
• Perforated plug, metal seat			
• Parabolic pressure balanced plug, metal seat, Material of piston seal: PTFE with stainless steel spring (max. 200°C)			
Guiding			
• Parabolic plug: double guiding			
• Perforated plug: stem and post guiding			
Flow characteristic			
• Equal percentage (modified) or linear			
Rangeability			
• 30 : 1			
Shut off class (seat / plug leakage classes)			
• Metal seat - Leakage class IV acc. to DIN EN 1349 or IEC 60534-4			
• Soft seat - Leakage class VI acc. to DIN EN 1349 or IEC 60534-4			
Closing pressures refer to page 4.			
Technical data for actuator refer to data sheet.			

Selection of possible applications

Industrial installations, processing technology, plant manufacturing, etc.
(other applications on request)

Selection of possible flow media

Fig. 422: Cooling water, cooling brine, warm water, hot water, steam, gas, etc.

Fig. 462: Refrigerant, cooling water, warm water, hot water, thermal oil, steam, gas, etc.

(other flow media on request)

Dimensions and weights

DN				200	250
L		(mm)		600	730
H2		(mm)		283	350
Fig. 422	H		(mm)	1013	1073
	ARI-PREMIO 12 kN	PN16	(kg)	175	303
	ARI-PREMIO 15 kN	PN25/40	(kg)	189	346
Fig. 462	H		(mm)	1435	1495
	ARI-PREMIO 12 kN	PN16	(kg)	180	338
	ARI-PREMIO 15 kN	PN25/40	(kg)	200	368

Standard-flange dimensions refer to page 15.

Face-to-face dimension FTF series 1 according to DIN EN 558

Parts

Pos.	Description	Fig. 12.422 Fig. 12.462	Fig. 22.422 Fig. 22.462	Fig. 34.422 / Fig. 35.422 Fig. 34.462 / Fig. 35.462
1	Body	EN-GJL-250 , EN-JL1040	EN-GJS-400-18U-LT, EN-JS1049	GP240GH+N, 1.0619+N
2	Seat ring *	X20Cr13+QT, 1.4021+QT		
3	Cover	EN-GJS-400-18U-LT, EN-JS1049		GP240GH+N, 1.0619+N
4	Guide bushing	X20Cr13+QT, 1.4021+QT (hardened)		
5	Gasket *	Pure graphite (CrNi laminated with graphite)		
6	Studs	25CrMo4, 1.7218		
7	Hexagon nuts	C35E, 1.1181		
8	Plug *	X20Cr13+QT, 1.4021+QT		
9	Straight pin *	56Si7, 1.5026		
10	Stem *	X20Cr13+QT, 1.4021+QT		
12	Stuffing box housing	EN-GJS-400-18U-LT, EN-JS1049		GP240GH+N, 1.0619+N
13	Guide bushing	X20Cr13+QT, 1.4021+QT (hardened)		
15	Stem extension *	X20Cr13+QT, 1.4021+QT		
16	Straight pin *	X10CrNi18-8, 1.4310		
17	Packing ring *	PTFE or Pure graphite		
19	Washer *	X5CrNi18-10, 1.4301		
20	Packing box flange	EN-GJS-400-15, EN-JS1030		GP240GH+N, 1.0619+N
21	Studs	25CrMo4, 1.7218		
22	Hexagon nuts	C35E, 1.1181		
23	Adapter flange	EN-GJS-400-18U-LT, EN-JS1049		
24	Hexagon socket head screw	8.8		
25.1	Bellows housing	EN-GJS-400-18U-LT, EN-JS1049		GP240GH+N, 1.0619+N
25.2	Mounting bonnet	EN-GJS-400-18U-LT, EN-JS1049		GP240GH+N, 1.0619+N
25.3	Stem- / Bellows unit *	X20Cr13+QT, 1.4021+QT / X6CrNiTi18-10, 1.4541		
25.5	Guide bushing	X20Cr13+QT, 1.4021+QT (hardened)		
25.6	Gasket *	Pure graphite (CrNi laminated with graphite)		
25.7	Studs	25CrMo4, 1.7218		
25.8	Hexagon nuts	C35E, 1.1181		
25.9	Straight pin	St		
25.10	Packing ring *	Pure graphite		
25.12	Washer *	X5CrNi18-10, 1.4301		
25.17	Screw joint *	X8CrNiS18-9, 1.4305		
27	Gasket *	Pure graphite (CrNi laminated with graphite)		
28	Studs	25CrMo4, 1.7218		
29	Hexagon nuts	C35E, 1.1181		

* Spare parts

Information / restriction of technical rules need to be observed!

ARI-Valves of EN-JL1040 are not allowed to be operated in systems acc. to TRD 110.

A production allowance acc. to TRB 801 No. 45 exists (acc. to TRB 801 No. 45 EN-JL1040 is not allowed.)

The engineer, designing a system or a plant, is responsible for the selection of the correct valve.

max. permissible closing pressures on flow-to-open P2 = 0

Observe restrictions by Pressure-temperature-ratings, refer to page 15.

Observe standard values for selection of plugs, refer to „Selection ARI-STEVI“ in the Technical annex.

DN		200			250			
Standard Kvs-values ³⁾	Seat-ø (mm)			200			250	
	Kvs-value			630			1000	
	Travel (mm)			65			65	
Reduced Kvs-values	Seat-ø (mm)	125	150		150	200		
	Kvs-value	250	400		400	630		
	Travel (mm)	50	50		50	65		
Actuator ¹⁾ ARI-PREMIO 12 kN	Closing pressure (bar)	II.	8,4	5,7	3,1	5,7	3,1	1,9
		III.						
	Operating time ²⁾ (s) (Op. Speed 0,38 mm/s)	132		171	132	171		
Actuator ¹⁾ ARI-PREMIO 15 kN	Closing pressure (bar)	II.	10,8	7,4	4	7,4	4	2,5
		III.						
	Operating time ²⁾ (s) (Op. Speed 0,38 mm/s)	132		171	132	171		
II. Fig. 422: PTFE- / pure graphite-packing;		III. Fig. 462: Bellows seal						

¹⁾ Motor voltage: 230V 50Hz 1Ø (standard)
Other voltages: 24V 50Hz 1Ø; 24V =; 110V 50/60Hz 1Ø; 230V 60Hz 1Ø; 400V 50Hz 3~; 440V 60Hz 3~
Technical data for actuator refer to data sheet ARI-PREMIO.

²⁾ Indicated operating times with 50Hz.

³⁾ Not for perforated plug (presentation ref. to page 16). Kvs-values refer to „Selection STEVI“ in the Technical annex.

Control valve straight through with electric actuator AUMA

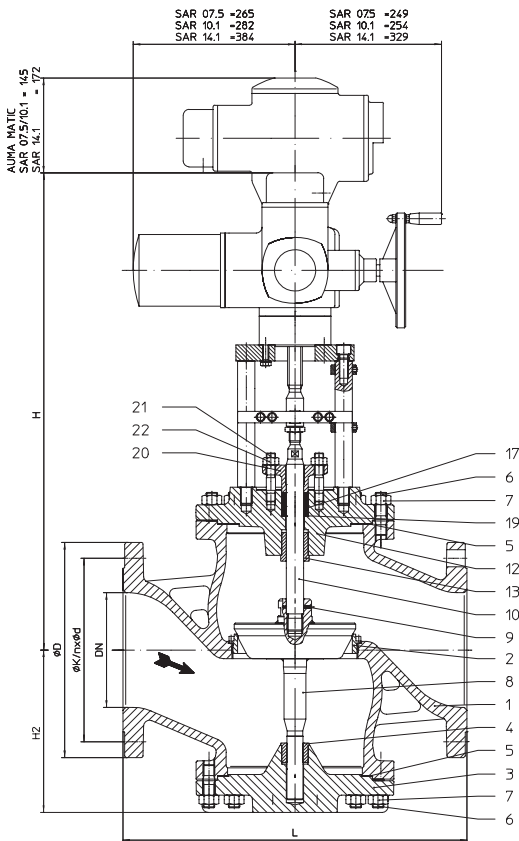


Fig. 422

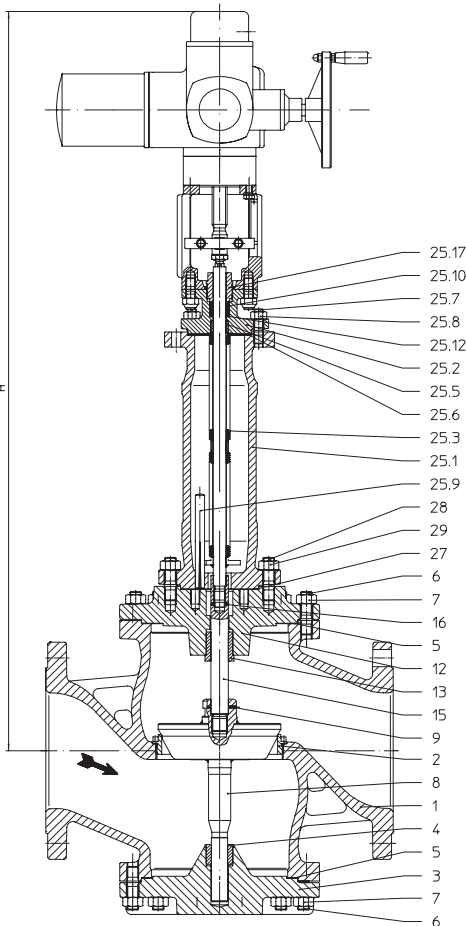


Fig. 462

Figure	Nominal pressure	Material	Nominal diameter
12.422 / 12.462	PN16	EN-JL1040	DN200-250
22.422 / 22.462	PN16	EN-JS1049	DN200-250
34.422 / 34.462	PN25	1.0619+N	DN200-250
35.422 / 35.462	PN40	1.0619+N	DN200-250

Other materials and versions on request.

Stem sealing

Fig. 422: • PTFE-packing -10°C up to +250°C
• Pure graphite-packing -10°C up to +450°C

Fig. 462: • Stainless steel bellows seal with safety stuffing box -60°C up to +450°C

Plug design

standard: • Parabolic plug, metal seat

optional:

- Parabolic plug with PTFE soft seat (max. 200°C)
- Perforated plug, metal seat
- Parabolic pressure balanced plug, metal seat, Material of piston seal: PTFE with stainless steel spring (max. 200°C)

Guiding

- Parabolic plug: double guiding
- Perforated plug: stem and post guiding

Flow characteristic

- Equal percentage (modified) or linear

Rangeability

- 30 : 1

Shut off class (seat / plug leakage classes)

- Metal seat - Leakage class IV acc. to DIN EN 1349 or IEC 60534-4
- Soft seat - Leakage class VI acc. to DIN EN 1349 or IEC 60534-4

Closing pressures refer to page 8.

Technical data for actuator refer to data sheet.

Selection of possible applications

Industrial installations, processing technology, plant manufacturing, etc. (other applications on request)

Selection of possible flow media

Fig. 422: Cooling water, cooling brine, warm water, hot water, steam, gas, etc.

Fig. 462: Refrigerant, cooling water, warm water, hot water, thermal oil, steam, gas, etc. (other flow media on request)

Dimensions and weights

DN			200	250	
L		(mm)	600	730	
H2		(mm)	283	350	
Fig. 422	H	(mm)	845	905	
	AUMA SAR 07.5	PN16	(kg)	200	328
		PN25/40	(kg)	220	372
	H	(mm)	857	917	
	AUMA SAR 10.1	PN16	(kg)	202	330
		PN25/40	(kg)	222	374
	H	(mm)	932	992	
	AUMA SAR 14.1	PN16	(kg)	238	366
PN25/40		(kg)	258	410	
Fig. 462	H	(mm)	1290	1350	
	AUMA SAR 07.5	PN16	(kg)	206	354
		PN25/40	(kg)	226	384
	H	(mm)	1302	1362	
	AUMA SAR 10.1	PN16	(kg)	208	356
		PN25/40	(kg)	228	386

Standard-flange dimensions refer to page 15.

(For version with AUMA SAR Ex other heights.)

Face-to-face dimension FTF series 1 according to DIN EN 558

Parts

Pos.	Description	Fig. 12.422 Fig. 12.462	Fig. 22.422 Fig. 22.462	Fig. 34.422 / Fig. 35.422 Fig. 34.462 / Fig. 35.462
1	Body	EN-GJL-250 , EN-JL1040	EN-GJS-400-18U-LT, EN-JS1049	GP240GH+N, 1.0619+N
2	Seat ring *	X20Cr13+QT, 1.4021+QT		
3	Cover	EN-GJS-400-18U-LT, EN-JS1049		GP240GH+N, 1.0619+N
4	Guide bushing	X20Cr13+QT, 1.4021+QT (hardened)		
5	Gasket *	Pure graphite (CrNi laminated with graphite)		
6	Studs	25CrMo4, 1.7218		
7	Hexagon nuts	C35E, 1.1181		
8	Plug *	X20Cr13+QT, 1.4021+QT		
9	Straight pin *	56Si7, 1.5026		
10	Stem *	X20Cr13+QT, 1.4021+QT		
12	Stuffing box housing	EN-GJS-400-18U-LT, EN-JS1049		GP240GH+N, 1.0619+N
13	Guide bushing	X20Cr13+QT, 1.4021+QT (hardened)		
15	Stem extension *	X20Cr13+QT, 1.4021+QT		
16	Straight pin *	X10CrNi18-8, 1.4310		
17	Packing ring *	PTFE or Pure graphite		
19	Washer *	X5CrNi18-10, 1.4301		
20	Packing box flange	EN-GJS-400-15, EN-JS1030		GP240GH+N, 1.0619+N
21	Studs	25CrMo4, 1.7218		
22	Hexagon nuts	C35E, 1.1181		
25.1	Bellows housing	EN-GJS-400-18U-LT, EN-JS1049		GP240GH+N, 1.0619+N
25.2	Mounting bonnet	EN-GJS-400-18U-LT, EN-JS1049		GP240GH+N, 1.0619+N
25.3	Stem- / Bellows unit *	X20Cr13+QT, 1.4021+QT / X6CrNiTi18-10, 1.4541		
25.5	Guide bushing	X20Cr13+QT, 1.4021+QT (hardened)		
25.6	Gasket *	Pure graphite (CrNi laminated with graphite)		
25.7	Studs	25CrMo4, 1.7218		
25.8	Hexagon nuts	C35E, 1.1181		
25.9	Straight pin	St		
25.10	Packing ring *	Pure graphite		
25.12	Washer *	X5CrNi18-10, 1.4301		
25.17	Screw joint *	X8CrNiS18-9, 1.4305		
27	Gasket *	Pure graphite (CrNi laminated with graphite)		
28	Studs	25CrMo4, 1.7218		
29	Hexagon nuts	C35E, 1.1181		

* Spare parts

Information / restriction of technical rules need to be observed!

ARI-Valves of EN-JL1040 are not allowed to be operated in systems acc. to TRD 110.

A production allowance acc. to TRB 801 No. 45 exists (acc. to TRB 801 No. 45 EN-JL1040 is not allowed.)

The engineer, designing a system or a plant, is responsible for the selection of the correct valve.

max. permissible closing pressures on flow-to-open P2 = 0

Observe restrictions by Pressure-temperature-ratings, refer to page 15.

Observe standard values for selection of plugs, refer to „Selection ARI-STEVI“ in the Technical annex.

Fig. 422									
DN		200			250				
Standard Kvs-values ⁴⁾	Seat-ø (mm)			200			250		
	Kvs-value			630			1000		
	Travel (mm)			65			65		
Reduced Kvs-values	Seat-ø (mm)	125	150		150	200			
	Kvs-value	250	400		400	630			
	Travel (mm)	50	50		50	65			
Actuator ¹⁾ AUMA SAR 07.5 Output drive Form A TR 26 x 5 - LH	Closing pressure (bar)	II.	shut off	17,3	11,9	6,6	11,9	6,6	4,1
			controlling ³⁾	8	5,5	2,9	5,5	2,9	1,8
	Torque (Nm)			60			60		
	Operating time ²⁾ (s)			55		71	55		71
	Output drive (rpm)			11			11		
Actuator ¹⁾ AUMA SAR 10.1 Output drive Form A TR 26 x 5 - LH	Closing pressure (bar)	II.	shut off	35,8	24,8	13,9	24,8	13,9	8,8
			controlling ³⁾	17,3	11,9	6,6	11,9	6,6	4,1
	Torque (Nm)			120			120		
	Operating time ²⁾ (s)			55		71	55		71
	Output drive (rpm)			11			11		
Actuator ¹⁾ AUMA SAR 14.1 Output drive Form A TR 30 x 6 - LH	Closing pressure (bar)	II.	shut off	40	40	23,9	40	23,9	15,3
			controlling ³⁾	28,9	20	11,1	20	11,1	7,1
	Torque (Nm)			175		250		250	
	Operating time ²⁾ (s)			63		59	63		59
	Output drive (rpm)			8		11	8		11

II. Fig. 422: PTFE- / pure graphite-packing

Fig. 462									
DN		200			250				
Standard Kvs-values ⁴⁾	Seat-ø (mm)			200			250		
	Kvs-value			630			1000		
	Travel (mm)			65			65		
Reduced Kvs-values	Seat-ø (mm)	125	150		150	200			
	Kvs-value	250	400		400	630			
	Travel (mm)	50	50		50	65			
Actuator ¹⁾ AUMA SAR 07.5 Output drive Form A TR 26 x 5 - LH	Closing pressure (bar)	III.	shut off	17,3	11,9	6,6	11,9	6,6	4,1
			controlling ³⁾	8	5,5	3	5,5	3	1,8
	Torque (Nm)			60			60		
	Operating time ²⁾ (s)			55		71	55		71
	Output drive (rpm)			11			11		
Actuator ¹⁾ AUMA SAR 10.1 Output drive Form A TR 26 x 5 - LH	Closing pressure (bar)	III.	shut off	26,6	18,4	10,2	18,4	10,2	6,5
			controlling ³⁾	17,3	11,9	6,6	11,9	6,6	4,1
	Torque (Nm)			90			90		
	Operating time ²⁾ (s)			55		71	55		71
	Output drive (rpm)			11			11		

III. Fig. 462: Bellows seal

Higher closing pressures on request

¹⁾ Motor voltage: 400V 50Hz 3~
(Other voltages on request)
Technical data for actuator refer to price list.

²⁾ Indicated operating times with 50Hz.

³⁾ Restrictions through max. permissible torque of the actuator at controlling operation.

⁴⁾ Not for perforated plug (presentation ref. to page 16). Kvs-values refer to „Selection STEVI“ in the Technical annex.

Control valve straight through with pneumatic actuator DP

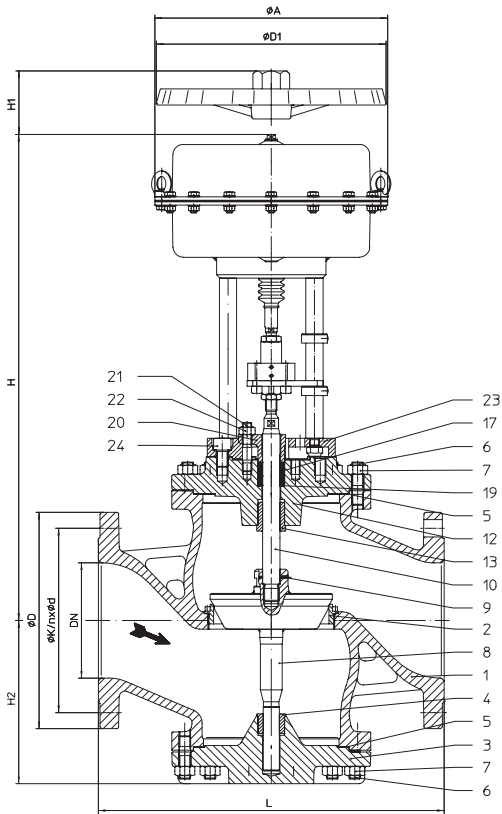


Fig. 422

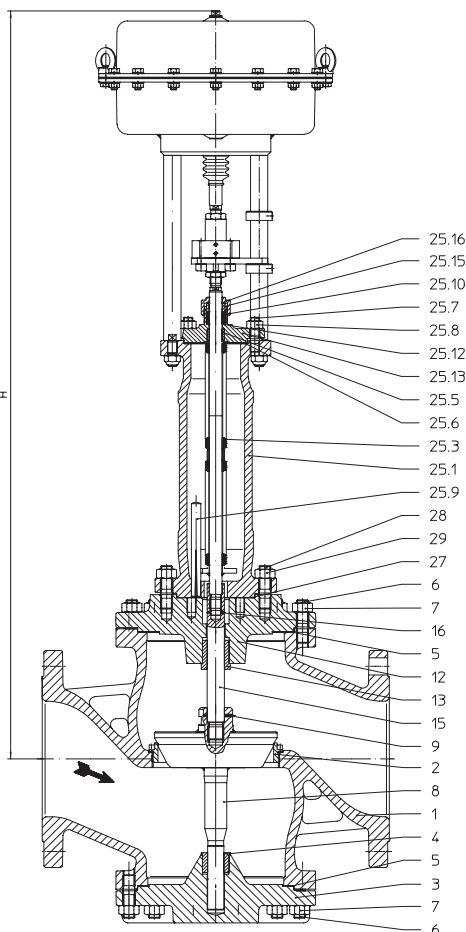


Fig. 462

Figure	Nominal pressure	Material	Nominal diameter
12.422 / 12.462	PN16	EN-JL1040	DN200-250
22.422 / 22.462	PN16	EN-JS1049	DN200-250
34.422 / 34.462	PN25	1.0619+N	DN200-250
35.422 / 35.462	PN40	1.0619+N	DN200-250

Other materials and versions on request.

Stem sealing

Fig. 422: • PTFE-packing -10°C up to +250°C
• Pure graphite-packing -10°C up to +450°C

Fig. 462: • Stainless steel bellows seal with safety stuffing box -60°C up to +450°C

Plug design

standard: • Parabolic plug, metal seat

optional:

- Parabolic plug with PTFE soft seat (max. 200°C)
- Perforated plug, metal seat
- Parabolic pressure balanced plug, metal seat, Material of piston seal: PTFE with stainless steel spring (max. 200°C)

Guiding

- Parabolic plug: double guiding
- Perforated plug: stem and post guiding

Flow characteristic

- Equal percentage (modified) or linear

Rangeability

- 30 : 1

Shut off class (seat / plug leakage classes)

- Metal seat - Leakage class IV acc. to DIN EN 1349 or IEC 60534-4
- Soft seat - Leakage class VI acc. to DIN EN 1349 or IEC 60534-4

Closing pressures refer to page 12-13.

Technical data for actuator refer to data sheet.

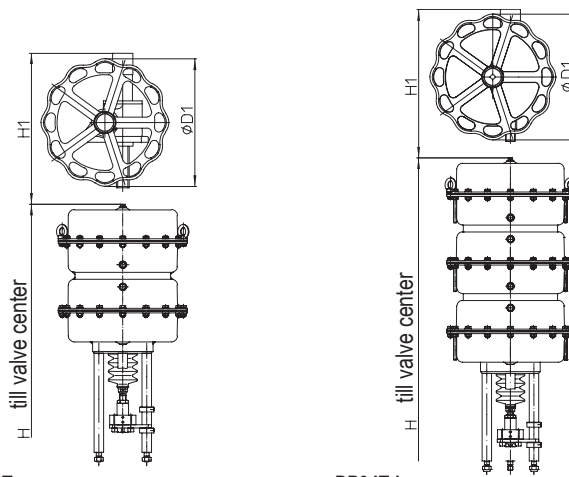
Selection of possible applications

Industrial installations, processing technology, plant manufacturing, etc. (other applications on request)

Selection of possible flow media

Fig. 422: Cooling water, cooling brine, warm water, hot water, steam, gas, etc.

Fig. 462: Refrigerant, cooling water, warm water, hot water, thermal oil, steam, gas, etc. (other flow media on request)



DP34T

DP34Tri

Top mounted handwheel

Actuator		DP34	DP34T	DP34Tri
Ø D1	(mm)		400	
H1	(mm)	470	635	635
Weight	(kg)	17	41	41

Technical data for actuator refer to data sheet DP32-34Tri.

Dimensions and weights

DN			200	250	
L	(mm)		600	730	
H2	(mm)		283	350	
Ø A	(mm)		405		
Fig. 422	H	(mm)	845	905	
	DP34	PN16	(kg)	198	326
		PN25/40	(kg)	212	359
	H	(mm)	1095	1155	
	DP34T	PN16	(kg)	268	396
		PN25/40	(kg)	288	440
	H	(mm)	1317	1377	
	DP34Tri	PN16	(kg)	315	443
		PN25/40	(kg)	329	486
	Fig. 462	H	(mm)	1294	1354
DP34		PN16	(kg)	203	361
		PN25/40	(kg)	223	391
H		(mm)	1542	1602	
DP34T		PN16	(kg)	274	432
		PN25/40	(kg)	294	462
H		(mm)	1764	1824	
DP34Tri		PN16	(kg)	320	478
		PN25/40	(kg)	340	508

Standard-flange dimensions refer to page 15.

Face-to-face dimension FTF series 1 according to DIN EN 558

Parts

Pos.	Description	Fig. 12.422 Fig. 12.462	Fig. 22.422 Fig. 22.462	Fig. 34.422 / Fig. 35.422 Fig. 34.462 / Fig. 35.462
1	Body	EN-GJL-250 , EN-JL1040	EN-GJS-400-18U-LT, EN-JS1049	GP240GH+N, 1.0619+N
2	Seat ring *	X20Cr13+QT, 1.4021+QT		
3	Cover	EN-GJS-400-18U-LT, EN-JS1049		GP240GH+N, 1.0619+N
4	Guide bushing	X20Cr13+QT, 1.4021+QT (hardened)		
5	Gasket *	Pure graphite (CrNi laminated with graphite)		
6	Studs	25CrMo4, 1.7218		
7	Hexagon nuts	C35E, 1.1181		
8	Plug *	X20Cr13+QT, 1.4021+QT		
9	Straight pin *	56Si7, 1.5026		
10	Stem *	X20Cr13+QT, 1.4021+QT		
12	Stuffing box housing	EN-GJS-400-18U-LT, EN-JS1049		GP240GH+N, 1.0619+N
13	Guide bushing	X20Cr13+QT, 1.4021+QT (hardened)		
15	Stem extension *	X20Cr13+QT, 1.4021+QT		
16	Straight pin *	X10CrNi18-8, 1.4310		
17	Packing ring *	PTFE or Pure graphite		
18	Packing ring *	PTFE or Pure graphite		
19	Washer *	X5CrNi18-10, 1.4301		
20	Packing box flange	EN-GJS-400-15, EN-JS1030		GP240GH+N, 1.0619+N
21	Studs	25CrMo4, 1.7218		
22	Hexagon nuts	C35E, 1.1181		
23	Adapter flange	EN-GJS-400-18U-LT, EN-JS1049		
24	Hexagon socket head screw	8.8		
25.1	Bellows housing	EN-GJS-400-18U-LT, EN-JS1049		GP240GH+N, 1.0619+N
25.3	Stem- / Bellows unit *	X20Cr13+QT, 1.4021+QT / X6CrNiTi18-10, 1.4541		
25.5	Guide bushing	X20Cr13+QT, 1.4021+QT (hardened)		
25.6	Gasket *	Pure graphite (CrNi laminated with graphite)		
25.7	Studs	25CrMo4, 1.7218		
25.8	Hexagon nuts	C35E, 1.1181		
25.9	Straight pin	St		
25.10	Packing ring *	Pure graphite		
25.12	Washer *	X5CrNi18-10, 1.4301		
25.13	Stuffing box housing	GP240GH+N, 1.0619+N		
25.15	Packing follower *	X20Cr13+QT, 1.4021+QT		
25.16	Sleeve nut *	X8CrNiS18-9, 1.4305		
27	Gasket *	Pure graphite (CrNi laminated with graphite)		
28	Studs	25CrMo4, 1.7218		
29	Hexagon nuts	C35E, 1.1181		

* Spare parts

Information / restriction of technical rules need to be observed!

ARI-Valves of EN-JL1040 are not allowed to be operated in systems acc. to TRD 110.

A production allowance acc. to TRB 801 No. 45 exists (acc. to TRB 801 No. 45 EN-JL1040 is not allowed.)

The engineer, designing a system or a plant, is responsible for the selection of the correct valve.

max. permissible closing pressures on flow-to-open P2 = 0
 Observe restrictions by Pressure-temperature-ratings, refer to page 15.
 Observe standard values for selection of plugs, refer to „Selection ARI-STEVI“ in the Technical annex.

DN		200			250								
Standard Kvs-values ³⁾	Seat-ø (mm)			200			250						
	Kvs-value			630			1000						
	Travel (mm)			65			65						
Reduced Kvs-values	Seat-ø (mm)	125	150		150	200							
	Kvs-value	250	400		400	630							
	Travel (mm)	50	50		50	65							
Spring closes on air failure													
Actuator DP34	Spring range (bar)	Air supply pressure min. (bar)	0,8-2,4	2,7	II. / III.	3,8	2,5		2,5				
			1,0-2,0	2,4	II. / III.			1,8		1,8	1,1		
			1,5-3,0	3,3	II. / III.	8,2	5,6		5,6				
			2,0-4,0	4,5	II. / III.	11,4	7,8	4,3	7,8	4,3	2,7		
Actuator DP34T			Spring range (bar)	Air supply pressure min. (bar)	0,2-1,0	1,2	II.	1,2 b)					
							III.	1,3 e)					
					0,4-1,2	1,4	II.	3,8 b)	2,5 b)	1,3 b)	2,5 b)	1,3 b)	
							III.	3,8 d)	2,5 d)	1,3 d)	2,5 d)	1,3 d)	
					0,8-2,4	3,2	II.	8,8	6		6		
							III.	8,8 b)	6 b)		6 b)		
					1,0-2,0	2,4	II.			4,3 a)		4,3 a)	2,6 a)
							III.			4,3 c)		4,3 c)	2,7 c)
1,5-3,0	3,3	II.			17,7	12,2		12,2					
		III.			17,7 a)	12,2 a)		12,2 a)					
2,0-4,0	4,5	II. / III.			24	16,6	9,2	16,6	9,2	5,8			
Actuator DP34Tri	Spring range (bar)	Air supply pressure min. (bar)			0,2-1,0	1,5	II.	2,5 d)	1,6 d)		1,6 d)		
					III.	2,5 f)	1,6 f)		1,6 f)				
			0,4-1,2	1,7	II.	6,3 d)	4,3 d)	2,3 d)	4,3 d)	2,3 d)	1,4 d)		
					III.	6,3 f)	4,3 f)	2,3 f)	4,3 f)	2,3 f)	1,4 f)		
			0,8-2,4	2,9	II.	13,9 b)	9,5 b)		9,5 b)				
					III.	13,9 d)	9,6 d)		9,6 d)				
			1,0-2,0	2,5	II.			6,7 b)		6,7 b)	4,2 b)		
					III.			6,7 d)		6,7 d)	4,2 d)		
1,5-3,0			3,5	II.	27,1 a)	18,8 a)		18,8 a)					
				III.	27,2 b)	18,8 b)		18,8 b)					
2,0-4,0			4,5	II.	36,6 a)	25,4 a)	14,2 a)	25,4 a)	14,2 a)	9 a)			
				III.									
II. Fig. 422: PTFE- / pure graphite-packing;				III. Fig. 462: Bellows seal									
Air supply pressure max. of pneumatic actuators DP:				max. permissible				6 bar (DP34Tri: max. permissible 5 bar)					
Air supply pressure max. limit of control valve:				max. permissible				a) 5 bar b) 4,5 bar c) 4 bar d) 3,5 bar e) 3 bar f) 2,5 bar					

³⁾ Not for Perforated plug (presentation ref. to page 16). Kvs-values refer to „Selection STEVI“ in the Technical annex.

max. permissible closing pressures on flow-to-open P2 = 0

Observe restrictions by Pressure-temperature-ratings, refer to page 15.

Observe standard values for selection of plugs, refer to „Selection ARI-STEVI“ in the Technical annex.

DN		200			250		
Standard Kvs-values ³⁾	Seat- ϕ (mm)			200			250
	Kvs-value			630			1000
	Travel (mm)			65			65
Reduced Kvs-values	Seat- ϕ (mm)				150	200	
	Kvs-value				400	630	
	Travel (mm)				50	65	

Spring opens on air failure

Actuator	Air supply pressure min. (bar)		II.		III.		IV.	
Actuator DP34	1,4	II.	1,2					
		III.	1,3 a)					
	2	II.	5	3,4	1,8	3,4	1,8	1,1
		III.	5,1 a)	3,4 a)	1,8 a)	3,4 a)	1,8 a)	1,1 a)
	3	II.	11,3	7,8	4,3	7,8	4,3	2,6
		III.	11,4 a)	7,8 a)	4,3 a)	7,8 a)	4,3 a)	2,7 a)
4	II.	17,7	12,2	6,7	12,2	6,7	4,2	
	III.	17,7 a)	12,2 a)	6,7 a)	12,2 a)	6,7 a)	4,2 a)	
5	II.	24	16,6	9,2	16,6	9,2	5,8	
	III.	24 a)	16,6 a)	9,2 a)	16,6 a)	9,2 a)	5,8 a)	
6	II.	30,3	21	11,7	21	11,7	7,4	
Actuator DP34T	1,5	II.	5 b)	3,4 b)	1,8 b)	3,4 b)	1,8 b)	1,1 b)
		III.	5,1 e)	3,4 e)	1,8 e)	3,4 e)	1,8 e)	1,1 e)
	2	II.	11,3 b)	7,8 b)	4,3 b)	7,8 b)	4,3 b)	2,6 b)
		III.	11,4 e)	7,8 e)	4,3 e)	7,8 e)	4,3 e)	2,7 e)
	3	II.	24 b)	16,6 b)	9,2 b)	16,6 b)	9,2 b)	5,8 b)
		III.	24 e)	16,6 e)	9,2 e)	16,6 e)	9,2 e)	5,8 e)
	4	II.	36,6 b)	25,4 b)	14,2 b)	25,4 b)	14,2 b)	9 b)

II. Fig. 422: PTFE- / pure graphite-packing;
III. Fig. 462: Bellows seal

Air supply pressure max. of pneumatic actuators DP:	max. permissible	6 bar (DP34Tri: max. permissible 5 bar)
Air supply pressure max. limit of control valve:	max. permissible	a) 5 bar b) 4,5 bar c) 4 bar d) 3,5 bar e) 3 bar f) 2,5 bar

³⁾ Not for Perforated plug (presentation ref. to page 16). Kvs-values refer to „Selection STEVI“ in the Technical annex.

Standard-flange dimensions

Flanges acc. to DIN EN 1092-1/-2 (Flangeholes / -thickness tolerances acc. to DIN 2533/2544/2545)

DN			200	250
PN16	ØD	(mm)	340	405
	ØK	(mm)	295	355
	n x Ød	(mm)	12 x 22	12 x 26
PN25	ØD	(mm)	360	425
	ØK	(mm)	310	370
	n x Ød	(mm)	12 x 26	12 x 30
PN40	ØD	(mm)	375	450
	ØK	(mm)	320	385
	n x Ød	(mm)	12 x 30	12 x 33

Pressure-temperature-ratings acc. to DIN EN 1092-2

Material			-60°C to <-10°C *	-10°C to 120°C	150°C	200°C	250°C	300°C	350°C	400°C	450°C
EN-JL1040	PN16	(bar)	--	16	14,4	12,8	11,2	9,6	--	--	--
EN-JS1049	PN16	(bar)	on request	16	15,5	14,7	13,9	12,8	11,2	--	--

Pressure-temperature-ratings acc. to DIN EN 1092-1

Material			-60°C to <-10°C *	-10°C to 50°C	100°C	150°C	200°C	250°C	300°C	350°C	400°C	450°C
1.0619+N	PN25	(bar)	18,7	25	23,3	21,7	19,4	17,8	16,1	15	14,4	13,9
1.0619+N	PN40	(bar)	30	40	37,3	34,7	30,2	28,4	25,8	24	23,1	22,2

Intermediate values for max. permissible operational pressures can be determined by linear interpolation of the given temperature / pressure chart.

* Valve with extended bonnet, studs and nuts made of A4-70 (at temperatures below -10°C)

Please indicate when ordering

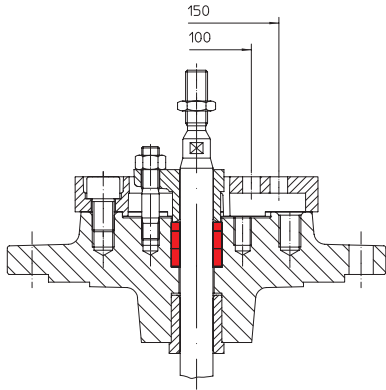
- Figure-No.
- Nominal diameter
- Nominal pressure
- Body material
- Plug design
- Kvs-value
- Flow characteristic
- Stem sealing
- Actuator
- Special design / accessories

Example:

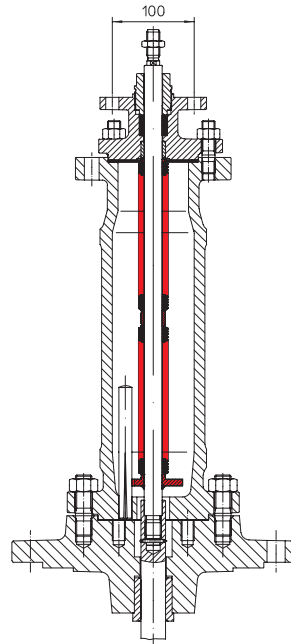
Figure 35.422; nominal diameter DN200; nominal pressure PN40; body material 1.0619+N; parabolic plug; Kvs 630; equal percentage; PTFE-packing; DP 34, spring closes on air failure, spring range 2.0 - 4.0 bar.

 Dimensions in mm
 Weights in kg
 Pressures in barg (gauge)
 1 bar $\hat{=}$ 10⁵ Pa $\hat{=}$ 0,1 MPa
 Kvs in m³/h

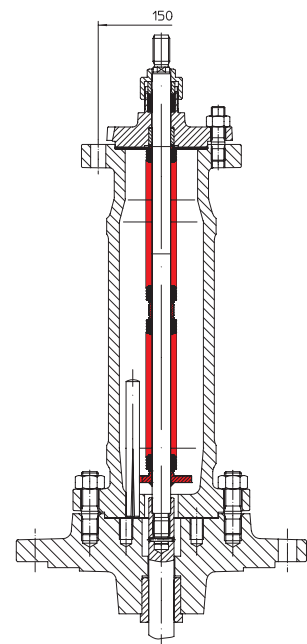
Stem sealing



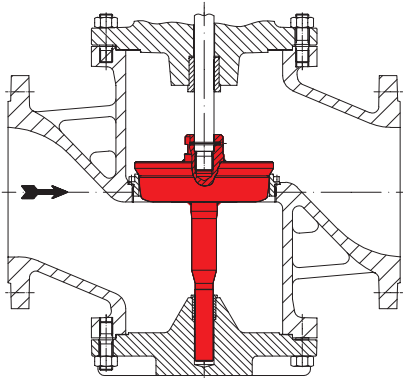
PTFE-/ Pure graphite-packing



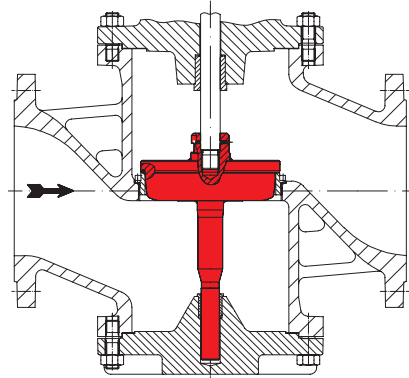
Bellows seal with safety stuffing box



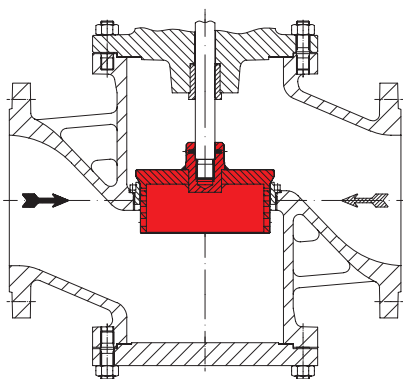
Plug designs



Parabolic plug with double guiding



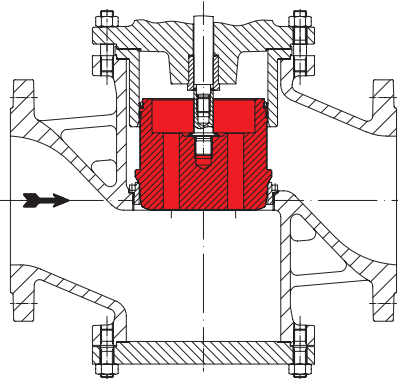
Parabolic plug with PTFE soft seat and double guiding



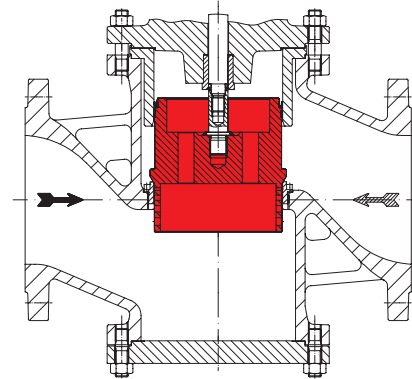
Perforated plug with stem and port guiding

➔ Flow direction for gas and steam to reduce the sound level

➔ Flow direction for liquids to reduce the cavitation



Parabolic pressure balanced plug



Perforated pressure balanced plug

➔ Flow direction for gas and steam to reduce the sound level

➔ Flow direction for liquids to reduce the cavitation



Technology for the Future.
GERMAN QUALITY VALVES

ARI-Armaturen Albert Richter GmbH & Co. KG, D-33756 Schloß Holte-Stukenbrock,
Tel. +49 52 07 / 994-0, Telefax +49 52 07 / 994-158 or 159 Internet: <http://www.ari-armaturen.com> E-mail: info.vertrieb@ari-armaturen.com