

**PARTS & MATERIAL LIST**

No.	ITEM	MATERIAL
1	BODY	MILD STL. ZINC PLATED & PASSIVATED. ST.STL. 316. BRASS CHROME PLATED.
2	SEAL	TO SUIT APPLICATION
3	VIEWING WINDOW	SERIES 'SF' SIZES: 1/2", 3/4" & 1" ANNEALED BOROSILICATE HEAT RESISTING GLASS.
		SIZES: 1 1/2", 1 1/4" & 2" TOUGHENED SODA LIME GLASS.
		SERIES 'SD' ANNEALED BOROSILICATE HEAT RESISTING GLASS.
		SERIES 'SR' SIZES: 1/2", 3/4" & 1" ANNEALED BOROSILICATE HEAT RESISTING GLASS.

**SERIES 'SF' & 'SR'**

**FLAT GLASS WINDOWS & REFLEX GLASS WINDOWS**

CONNECTION BSP	PART NUMBER CLEAR GLASS WITHOUT A REFLECTOR	PART NUMBER CLEAR GLASS WITH REFLECTOR	PART NUMBER REFLEX GLASS	DIMENSIONS mm				STANDARD WORKING PRESSURE BAR.G
				A	B	C	D	
1/2"	SFG04135*	SGG04135*	SRG04135*	33	30	19	14	16
3/4"	SFG06135*	SGG06135*	SRG06135*	33	31	19	16	16
1"	SFG08135*	SGG08135*	SRG08135*	38.1	34.5	21	19	16
1 1/4"	SFG10135*	SGN10035*	N/A	52	37	31	22	24
1 1/2"	SFG12135*	SGG12135*	N/A	52	36.5	31	22	24
2"	SFG16135*	SGG16135*	N/A	65	40	45	27	14.5

**SERIES 'SD'**

**DOMED GLASS WINDOWS**

CONNECTION BSP	PART NUMBER DOMED GLASS	DIMENSIONS mm				STANDARD WORKING PRESSURE BAR.G
		A	B	C	D	
1/2"	SDG04135*	38.1	45	25	14	16
3/4"	SDG06135*	38.1	47	25	16	16
1"	SDG08135*	38.1	50	25	19	16

**WINDOW SIGHT GLASS**

WHEN ORDERING PLEASE STATE PART NUMBER, THREAD SIZE, FLUID, OPERATING TEMPERATURE & PRESSURE.

**ORDERING CODE**

Example: SFG04135\* is a Sight Glass Flat, 1/2"BSP Parallel connection with ISO undercut, in Mild Stl. with [ \* = o'ring material to suit].

**WORKING PRESSURE:**

See tables.

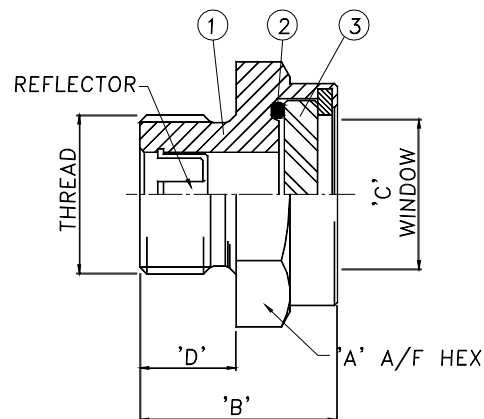
**OPERATING TEMPERATURE:**

Subject to seal material.

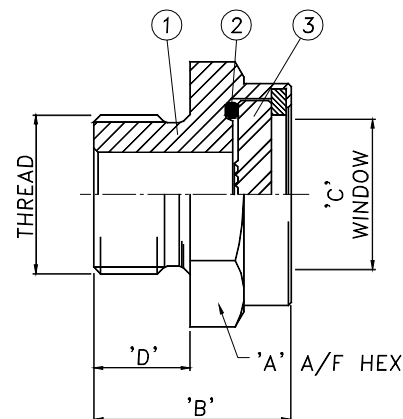
**CONNECTIONS:**

Alternative thread sizes may be available.

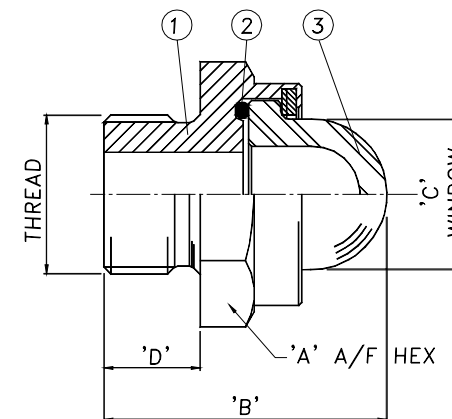
**SERIES 'SF'**



**SERIES 'SR'**



**SERIES 'SD'**



**SEETRU LIMITED**

ALBION DOCKSIDE WORKS, BRISTOL. BS1 6UT  
TELEPHONE +44 (0) 117 927 9204, FAX +44 (0) 117 929 8193  
www.seetru.com enquiries@seetru.com

WINDOW SIGHT GLASS

SIGHT GLASS SERIES  
TYPE 'SD'  
TYPE 'SF'  
TYPE 'SR'