

Pressure Range

From: 14.50 bar g. (210.25 psi g.)
To: 55.00 bar g. (797.50 psi g.)



Temperature Range

-20 °C to 200 °C (subject to seal material)



Flow Area

50.27 mm² (8.00 mm inlet bore diameter)



Connections

Inlet: 1/4" to 1/2" BSP, BSPT, NPT



Seal Materials

Nitrile
Viton®
Neoprene
Ethylene Propylene

		GA 61682
1	BODY	BRASS CZ121
2	SEAL	TO SUIT
3	SEAL RETAINER	BRASS CZ121
4	PLUNGER	BRASS CZ121
5	SPRING	ST. STEEL 1.4310 (302)
6	ADJUSTER	BRASS CZ121
7	CAP	ST. STEEL 1.4057 (431)
8	NAMEPLATE	BRASS CZ121
9	WIRE & SEAL	ST. STEEL & LEAD
10	ADAPTOR	ST. STEEL
11	DOWTY SEAL	NITRILE

Notes

- Relieving pressure is set pressure +10%
- Reseating pressure is set pressure -10%
- Stable operation on flows down to 80% of valve rated capacity

Approvals

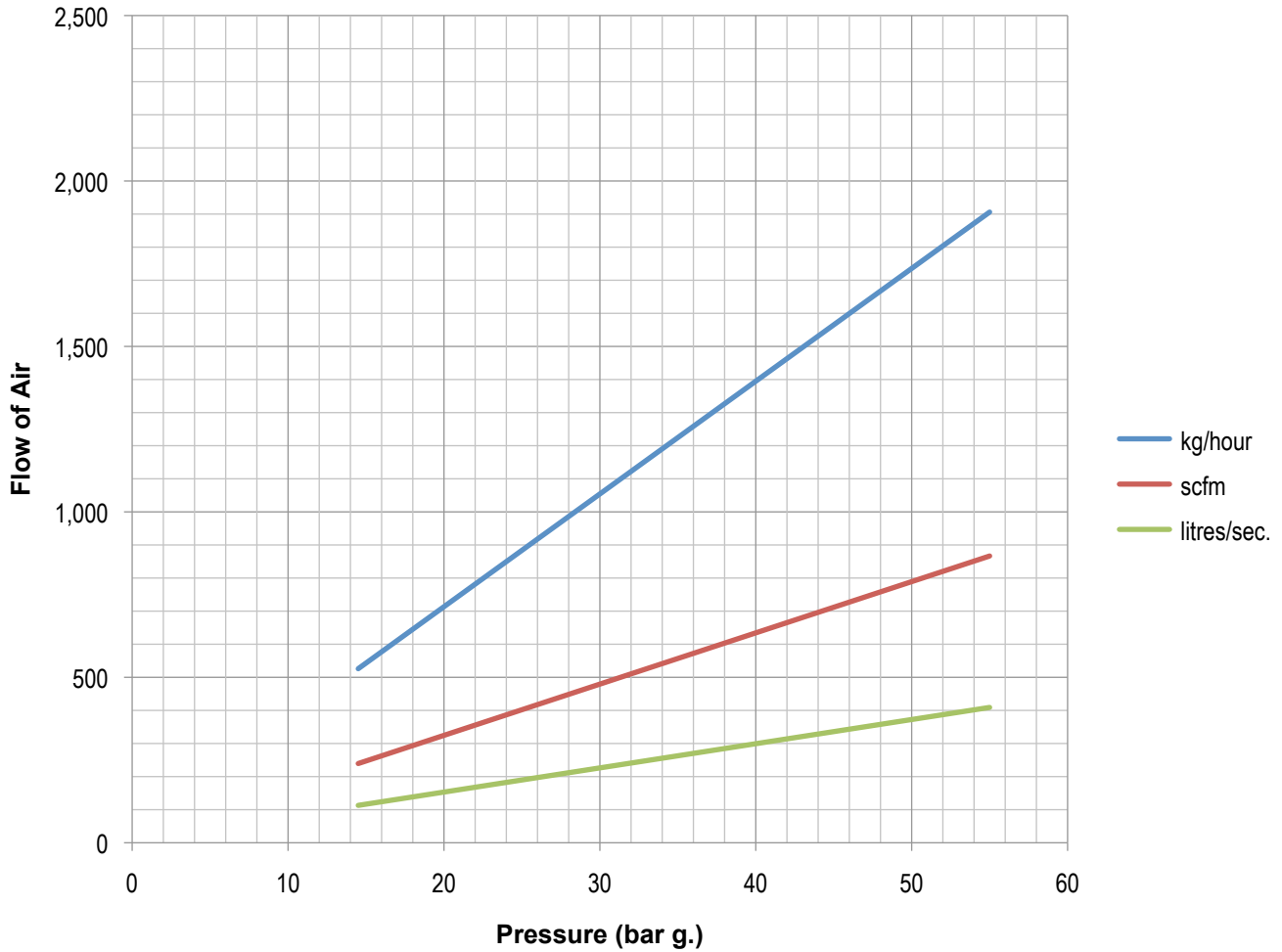
- TÜV Germany (AD-Merkblatt A2)
- BS EN ISO 4126-1
- PED 97/23/EC

DN8

Seetru Limited
Albion Dockside Works
Bristol BS1 6UT
England

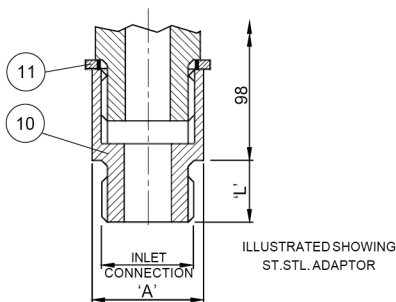
Tel: +44 (0) 117 927 9204
Fax: +44 (0) 117 929 8193
sales@seetru.co.uk
www.seetru.co.uk

Discharge Capacity's



For assistance in sizing a valve to your specifications please contact the Seetru technical sales desk.

Alternate Bottom Fitting



DN8

Seetru Limited
Albion Dockside Works
Bristol BS1 6UT
England

Tel: +44 (0) 117 927 9204
Fax: +44 (0) 117 929 8193
sales@seetru.co.uk
www.seetru.co.uk