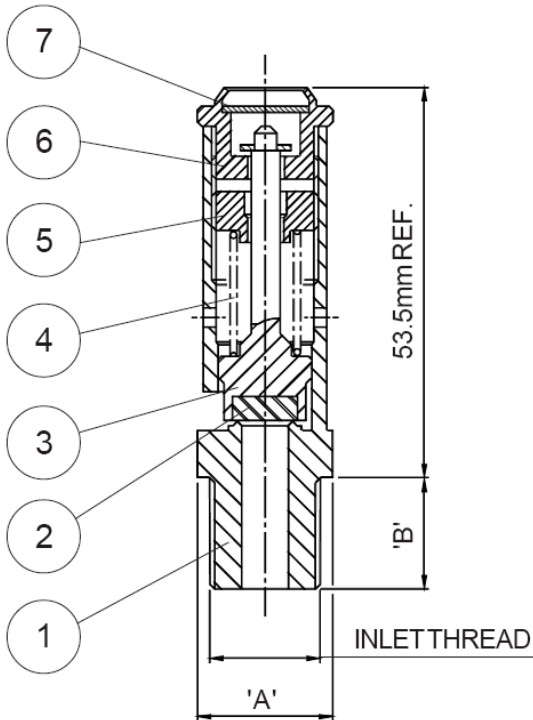


GA 81806, 81706, 81106

6 mm Nominal Bore Atmospheric Discharge Safety Relief Valve
For Compressed Air & Gases
PED, TÜV, ASME Approved



Pressure Range

From: 2.80 bar g. (40.60 psi g.)
To: 36.00 bar g. (522.00 psi g.)



Temperature Range

-30 °C to 200 °C (subject to seal material)



Flow Area

28.27 mm² (6.00 mm inlet bore diameter)



Connections

Inlet: 1/4" to 3/8" BSP, BSPT, NPT



Seal Materials

Nitrile
Viton®

ASME	GA 81706
PED / TÜV / ASME	GA 81106
PED / TÜV	GA 81806

1	BODY	BRASS CW614N
2	SEAL	TO SUIT
3	PLUNGER	BRASS CW614N
4	SPRING	ST. STEEL 1.4310 (302)
5	ADJUSTER	BRASS CW614N
6	CAP	BRASS CW614N
7	NAMEPLATE	ALUMINIUM ALLOY

Notes

- Relieving pressure is set pressure +10%
- Reseating pressure is set pressure -10%

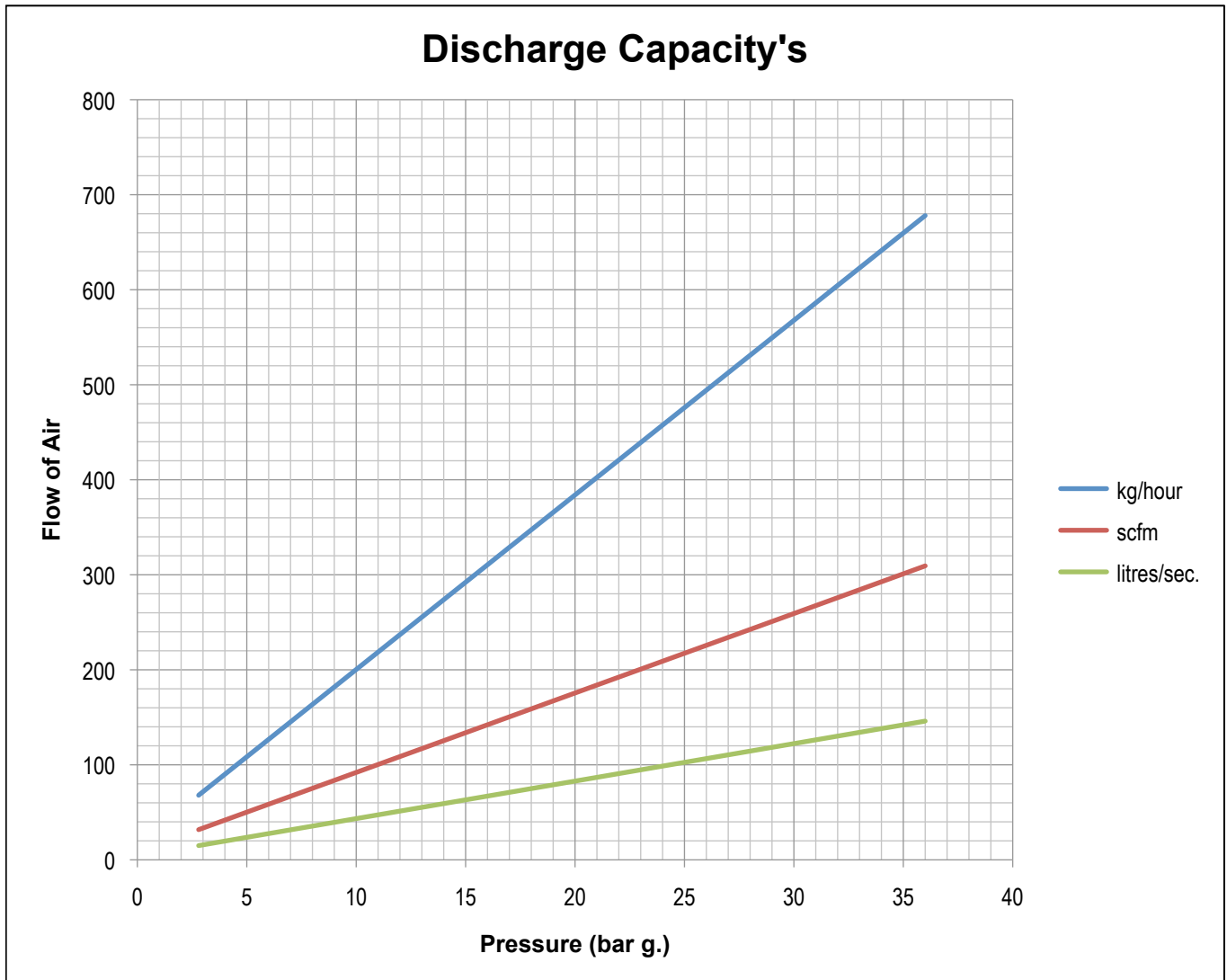
Approvals

- TÜV Germany (AD-Merkblatt A2)
- BS EN ISO 4126-1
- ASME Section VIII Division 1
- PED 97/23/EC

DN6

Seetru Limited
Albion Dockside Works
Bristol BS1 6UT
England

Tel: +44 (0) 117 927 9204
Fax: +44 (0) 117 929 8193
sales@seetru.co.uk
www.seetru.co.uk



For assistance in sizing a valve to your specifications please contact the Seetru technical sales desk.

DN6

Seetru Limited
Albion Dockside Works
Bristol BS1 6UT
England

Tel: +44 (0) 117 927 9204
Fax: +44 (0) 117 929 8193
sales@seetru.co.uk
www.seetru.co.uk