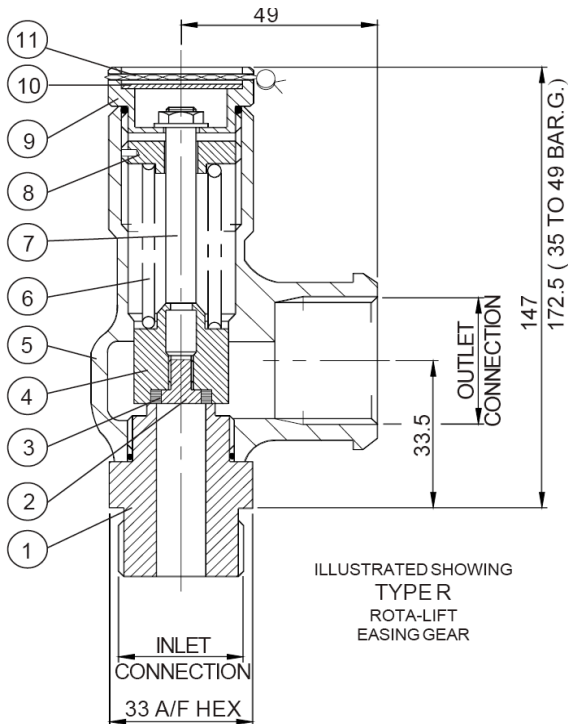


GP 63613, 63713, 63113

13 mm Nominal Bore Piped Discharge Safety Relief Valve
For Compressed Air & Gases
PED, TÜV, ASME Approved



Pressure Range

From: 0.32 bar g. (4.64 psi g.)
To: 49.00 bar g. (710.50 psi g.)



Temperature Range

-20 °C to 200 °C (subject to seal material)



Flow Area

147.41 mm² (13.70 mm inlet bore diameter)



Connections

Inlet: 3/4" BSP, BSPT, NPT
Outlet: 1" BSP



Seal Materials

Nitrile
Viton®
Neoprene
Ethylene Propylene

	ASME	GP 63713	GP 64713	GP 65713
	PED / TÜV / ASME	GP 63113	GP 64113	GP 65113
	PED / TÜV	GP 63613	GP 64613	GP 65613
1	INLET SEAT	BRASS CW614N	ST. STEEL 1.4401 (316)	ST. STEEL 1.4401 (316)
2	SEAL	TO SUIT	TO SUIT	TO SUIT
3	SEAL RETAINER	BRASS CW614N	ST. STEEL 1.4401 (316)	ST. STEEL 1.4401 (316)
4	PLUNGER	BRASS CW602N	ST. STEEL 1.4401 (316)	BRASS CW602N
5	BODY	BRONZE CC491K (SB-62 C83600)	ST. STEEL 1.4408 (316)	BRONZE CC491K (SB-62 C83600)
6	SPRING	ST. STEEL 1.4310 (302)	ST. STEEL 1.4310 (302)	ST. STEEL 1.4310 (302)
7	SPINDLE	ST. STEEL 1.4057 (431)	ST. STEEL 1.4057 (431)	ST. STEEL 1.4057 (431)
8	ADJUSTER	BRASS CW614N	ST. STEEL 1.4401 (316)	BRASS CW614N
9	CAP	BRASS CW614N	ST. STEEL 1.4401 (316)	BRASS CW614N
10	NAMEPLATE	ALUMINIUM ALLOY	ALUMINIUM ALLOY	ALUMINIUM ALLOY
11	WIRE & SEAL	ST. STEEL & LEAD	ST. STEEL & LEAD	ST. STEEL & LEAD

Notes

- Maximum permissible built up back pressure is 10% of set pressure
- Stable operation on flows down to 50% of valve rated capacity
- Relieving pressure is set pressure +10% (0.3 bar g. below 1.40 bar g.)
- Reseating pressure is set pressure -10% (0.3 bar g. minimum)
- Below 1.40 bar g., PED certified only

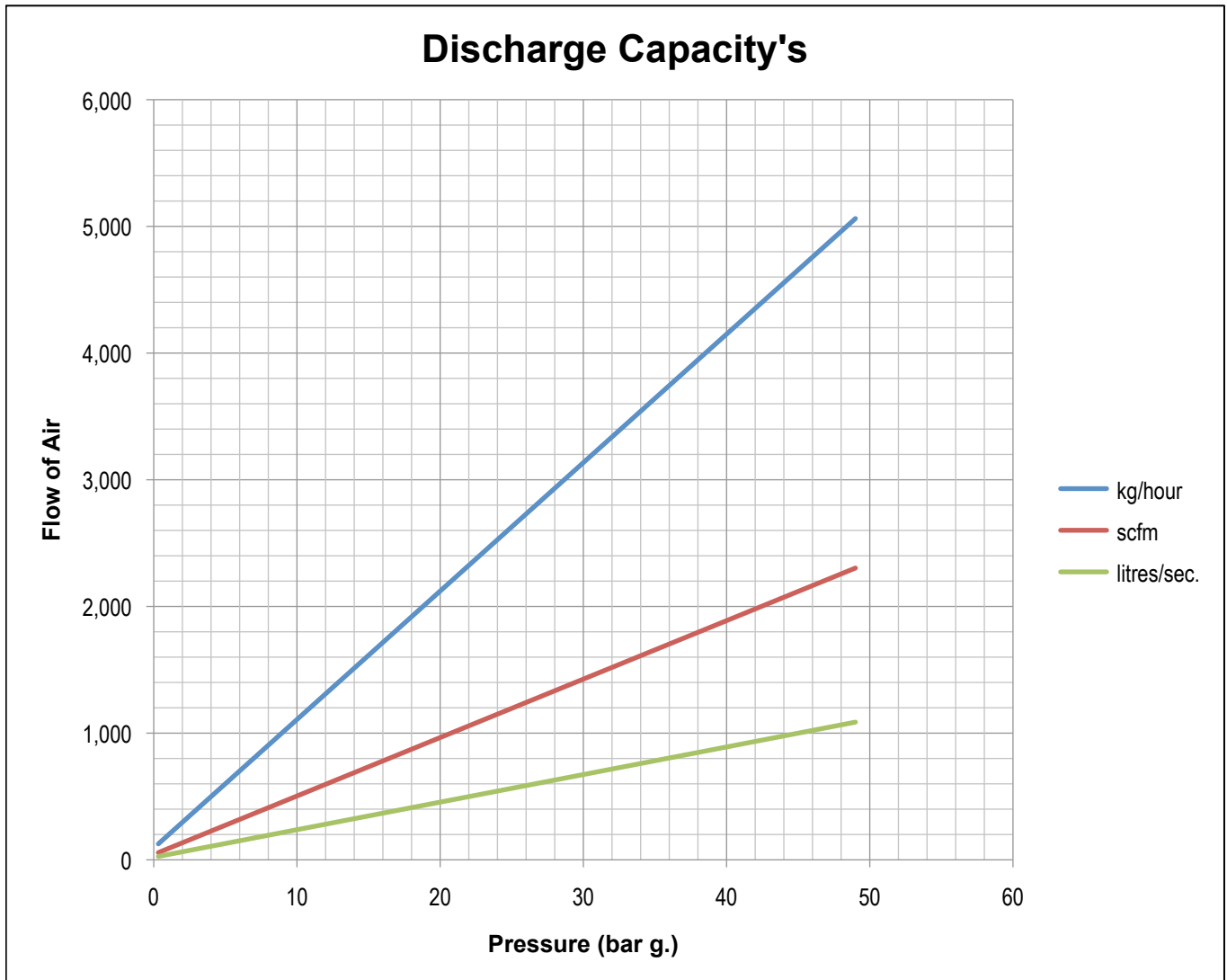
Approvals

- TÜV Germany (AD-Merkblatt A2)
- BS EN ISO 4126-1
- ASME Section VIII Division 1
- PED 97/23/EC

DN13

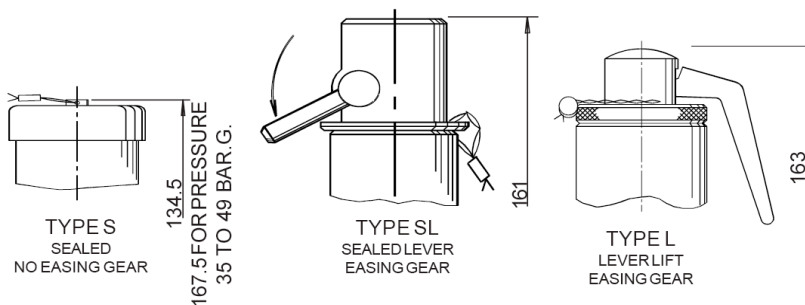
Seetru Limited
Albion Dockside Works
Bristol BS1 6UT
England

Tel: +44 (0) 117 927 9204
Fax: +44 (0) 117 929 8193
sales@seetru.co.uk
www.seetru.co.uk



For assistance in sizing a valve to your specifications please contact the Seetru technical sales desk.

Alternate Top Fittings



DN13

Seetru Limited
Albion Dockside Works
Bristol BS1 6UT
England

Tel: +44 (0) 117 927 9204
Fax: +44 (0) 117 929 8193
sales@seetru.co.uk
www.seetru.co.uk