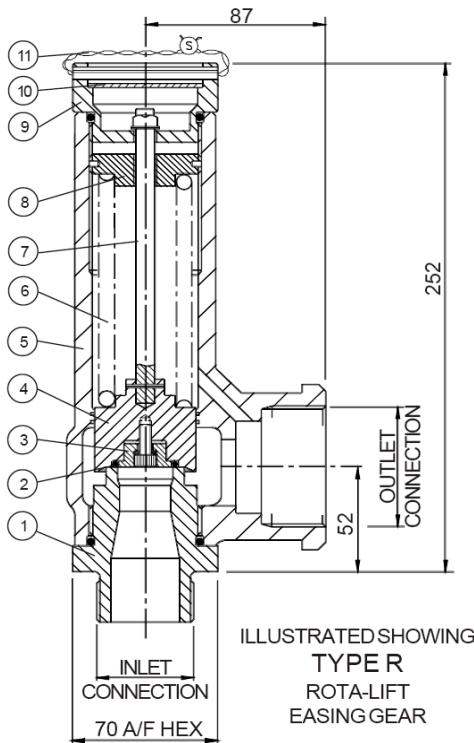


# GP 63625, 63725, 63125

25 mm Nominal Bore Piped Discharge Safety Relief Valve  
For Compressed Air & Gases  
PED, TÜV, ASME Approved



## Pressure Range

From: 5.65 bar g. (81.93 psi g.)  
To: 30.00 bar g. (435.00 psi g.)



## Temperature Range

-20 °C to 200 °C (subject to seal material)



## Flow Area

490.87 mm<sup>2</sup> (25.00 mm inlet bore diameter)



## Connections

Inlet: 1 1/2" BSP, BSPT, NPT  
Outlet: 2" BSP



## Seal Materials

Nitrile  
Viton®  
Neoprene  
Ethylene Propylene

	ASME	GP 63725	GP 64725	GP 65725
	PED / TÜV / ASME	GP 63125	GP 64125	GP 65125
	PED / TÜV	GP 63625	GP 64625	GP 65625
1	INLET SEAT	BRASS CW614N	ST. STEEL 1.4401 (316)	ST. STEEL 1.4401 (316)
2	'O' RING	TO SUIT	TO SUIT	TO SUIT
3	SEAL RETAINER	BRASS CW614N	ST. STEEL 1.4401 (316)	ST. STEEL 1.4401 (316)
4	PLUNGER	BRASS CW602N	ST. STEEL 1.4401 (316)	BRASS CW602N
5	BODY	BRONZE CC491K (SB-62 C83600)	ST. STEEL 1.4408 (316)	BRONZE CC491K (SB-62 C83600)
6	SPRING	ST. STEEL 1.4310 (302)	ST. STEEL 1.4310 (302)	ST. STEEL 1.4310 (302)
7	SPINDLE	ST. STEEL 1.4057 (431)	ST. STEEL 1.4057 (431)	ST. STEEL 1.4057 (431)
8	ADJUSTER	BRASS CW614N	ST. STEEL 1.4401 (316)	BRASS CW614N
9	CAP	BRASS CW614N	ST. STEEL 1.4401 (316)	BRASS CW614N
10	NAMEPLATE	ALUMINIUM/ST. STEEL	ST. STEEL	ALUMINIUM/STL. STEEL
11	WIRE & SEAL	ST. STEEL & LEAD	ST. STEEL & LEAD	ST. STEEL & LEAD

## Notes

- Maximum permissible built up back pressure is 10% of set pressure
- Stable operation on flows down to 50% of valve rated capacity
- Relieving pressure is set pressure +10%
- Reseating pressure is set pressure -10%

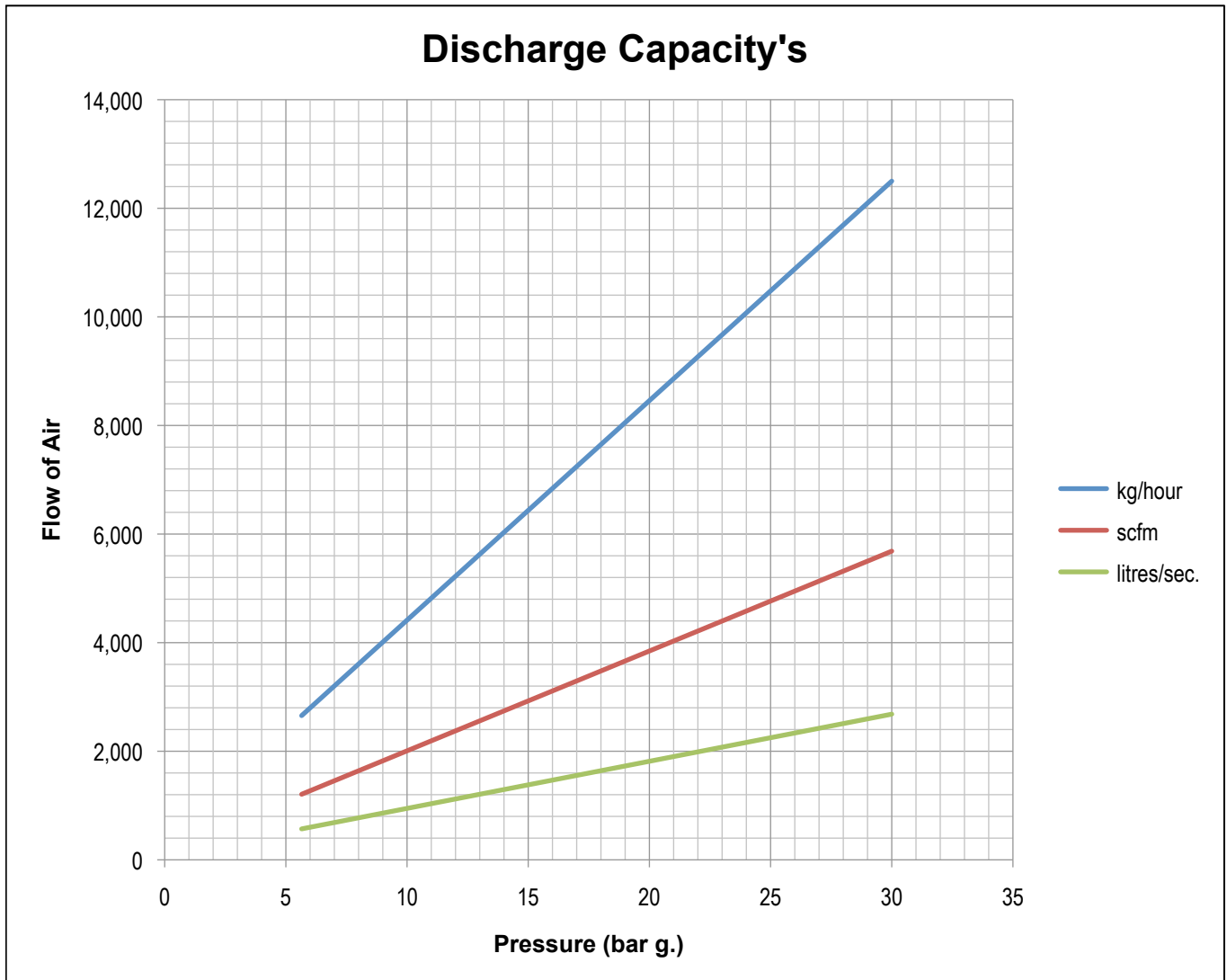
## Approvals

- TÜV Germany (AD-Merkblatt A2)
- BS EN ISO 4126-1
- ASME Section VIII Division 1
- PED 97/23/EC

# DN25

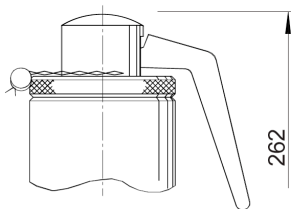
Seetru Limited  
Albion Dockside Works  
Bristol BS1 6UT  
England

Tel: +44 (0) 117 927 9204  
Fax: +44 (0) 117 929 8193  
sales@seetru.co.uk  
www.seetru.co.uk

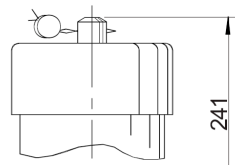


For assistance in sizing a valve to your specifications please contact the Seetru technical sales desk.

### Alternate Top Fittings



**TYPE L**  
LEVER LIFT  
EASING GEAR



**TYPE S**  
SEALED  
NO EASING TYPE

# DN25

Seetru Limited  
Albion Dockside Works  
Bristol BS1 6UT  
England

Tel: +44 (0) 117 927 9204  
Fax: +44 (0) 117 929 8193  
sales@seetru.co.uk  
www.seetru.co.uk