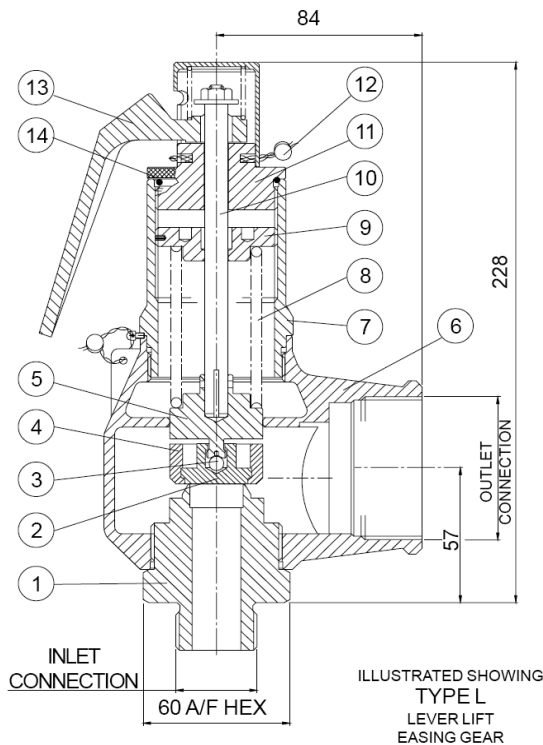


GP 93620 (METAL SEAL)

20 mm Nominal Bore Piped Discharge Safety Relief Valve
For Compressed Air & Gases
PED, TÜV Approved



Pressure Range

From: 0.30 bar g. (4.35 psi g.)
To: 28.00 bar g. (406.00 psi g.)



Temperature Range

-196 °C to 250 °C (subject to seal material)



Flow Area

314.16 mm² (20.00 mm inlet bore diameter)



Connections

Inlet: 1" to 1 1/2" BSP, BSPT, NPT
Outlet: 2" BSP, NPT



Seal Materials

Nitrile
Viton®
Neoprene
Ethylene Propylene
Silicone

	GP 93620	GP 94620
1 INLET SEAT	BRASS	ST. STEEL
2 DISC	ST. STEEL 1.4401 (316)	ST. STEEL 440B
3 BALL	ST. STEEL	ST. STEEL
4 DISC HOLDER	ST. STEEL	ST. STEEL
5 PLUNGER	ST. STEEL	ST. STEEL
6 BODY	ST. STEEL	ST. STEEL
7 SPRING HOUSING	BRASS	ST. STEEL
8 SPRING	ST. STEEL	ST. STEEL
9 ADJUSTER	BRASS	ST. STEEL
10 SPINDLE	ST. STEEL	ST. STEEL
11 CAP	BRASS	ST. STEEL
12 WIRE & SEAL	ST. STEEL & LEAD	ST. STEEL & LEAD
13 LEVER	BRASS	ST. STEEL
14 'O' RING	TO SUIT	TO SUIT

Notes

- Maximum permissible built up back pressure is 10% of set pressure
- Stable operation on flows down to 50% of valve rated capacity
- Relieving pressure is set pressure +10% (0.1 bar g. below 1.3 bar g.)
- Reseating pressure is set pressure -10% (0.3 bar g. below 3.0 bar g.)

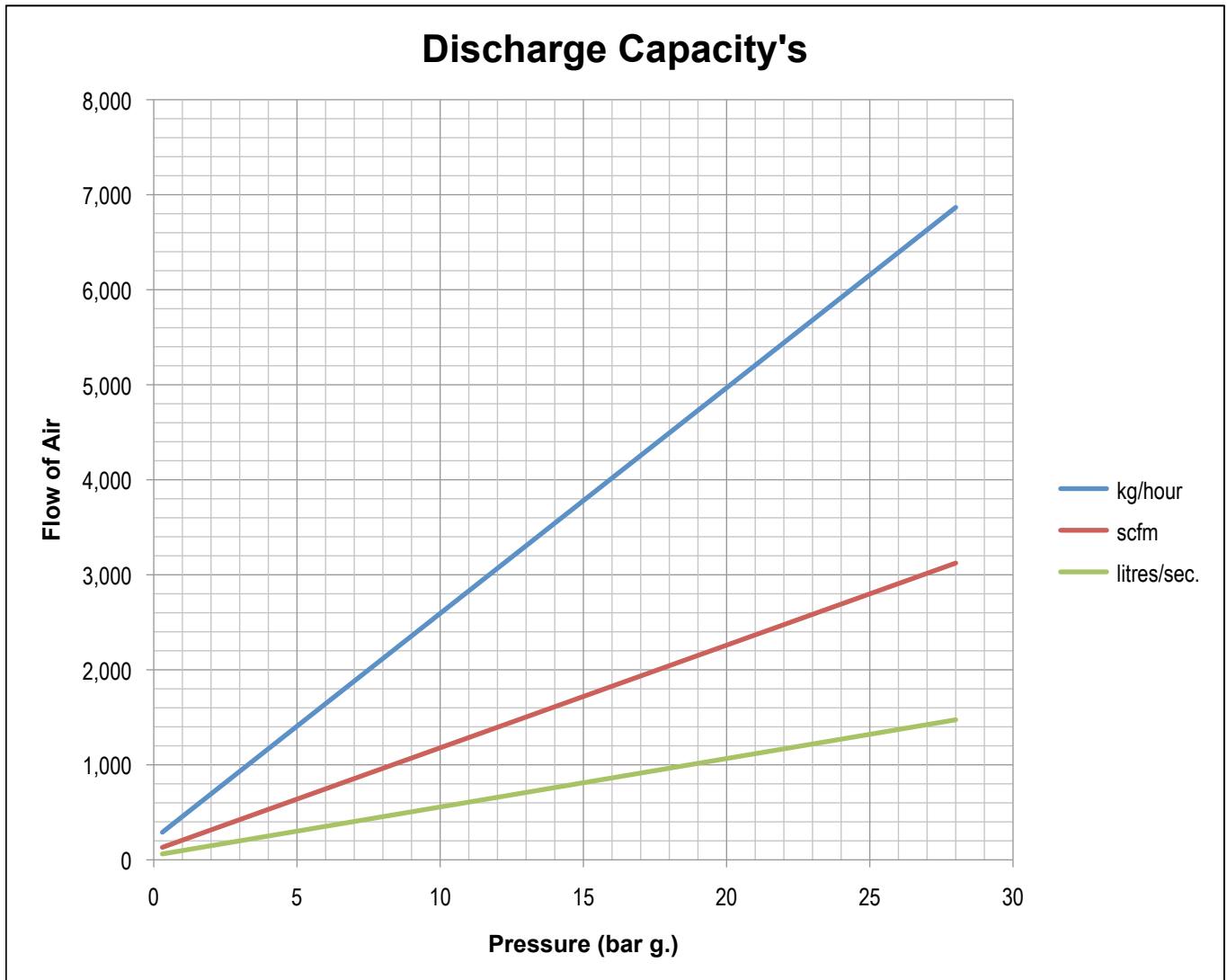
Approvals

- TÜV Germany (AD-Merkblatt A2)
- BS EN ISO 4126-1
- PED 97/23/EC

DN20

Seetru Limited
Albion Dockside Works
Bristol BS1 6UT
England

Tel: +44 (0) 117 927 9204
Fax: +44 (0) 117 929 8193
sales@seetru.co.uk
www.seetru.co.uk



For assistance in sizing a valve to your specifications please contact the Seetru technical sales desk.

Alternate Top Fittings



DN20

Seetru Limited
Albion Dockside Works
Bristol BS1 6UT
England

Tel: +44 (0) 117 927 9204
Fax: +44 (0) 117 929 8193
sales@seetru.co.uk
www.seetru.co.uk